

ASSEMBLY INSTRUCTIONS

SLIPPER CHAIR

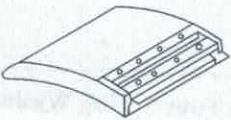
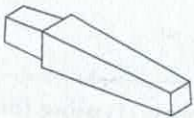

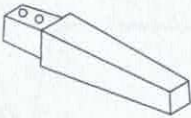

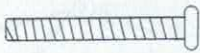
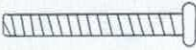


***TIPS FOR ASSEMBLY**

PLEASE READ THESE ASSEMBLY INSTRUCTION PRIOR TO ASSMBLING.
 TO AVOID DAMAGE, ASSEMBLE THE CHAIR ON A NON-ABRASIVE SURFACE
 MAKE SURE ALL BOLIS ARE TIGHTLY FASTENED BEFORE THE CHAIR IS USED.
 MAXIMUM WEIGHT LIMIT IS 300LBS.

***CARE AND MAINTENANCE**

SPRAY AND CLEAN WITH A SOFT CLOTH USING A MUTI-PURPOSE,
 NON ABRASIVE CLEANING PRODUCT.

***CARE AND MAINTENANCE**

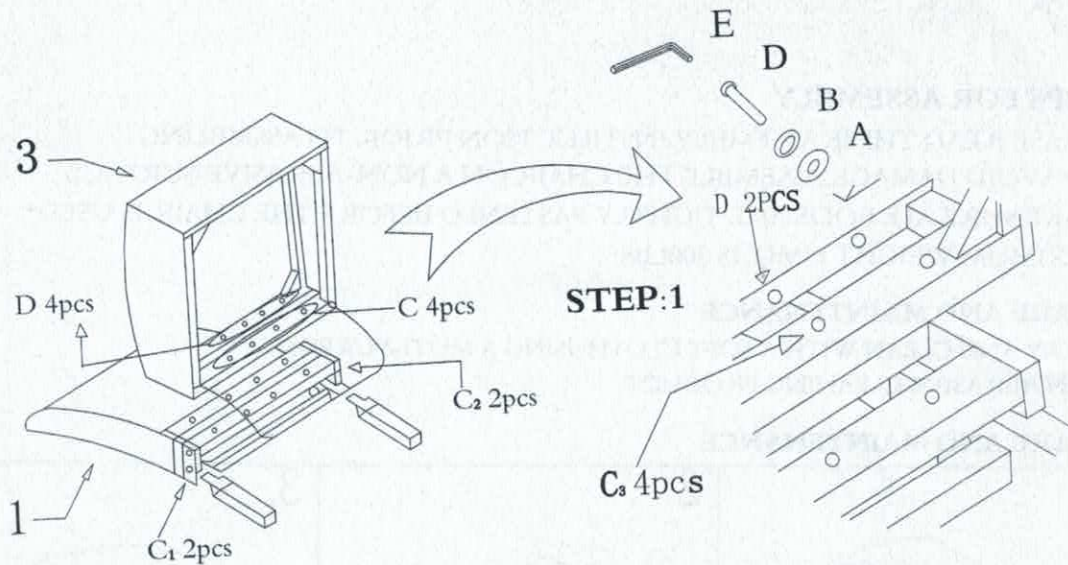
1 		2 		3 	
Back Frame	1PC	Front Foot	2PCS	Seat Frame	1PC
A 		B 		C 	
Rear Foot	2 PCS	Spring Washer	16 PCS	Bolt	12 PCS
D 		E 		F 	
Bolt	4PCS	Allen Wrench	1PCS	Spring Washer	16 PCS

ASSEMBLY INSTRUCTIONS

SLIPPER CHAIR

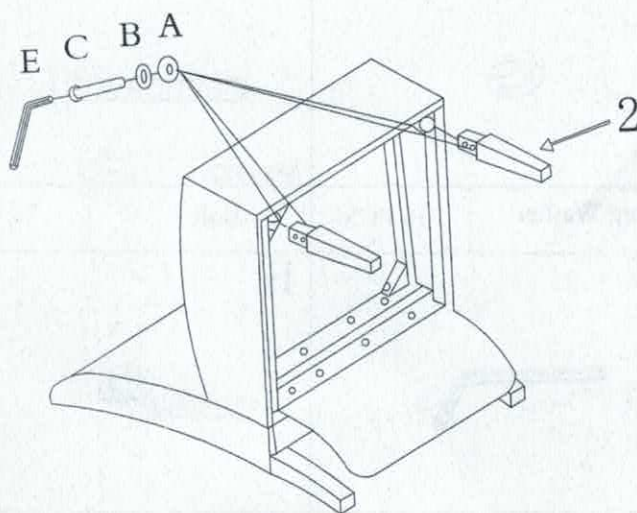
Do not fasten any screws until the chair is fully assembled

STEP1



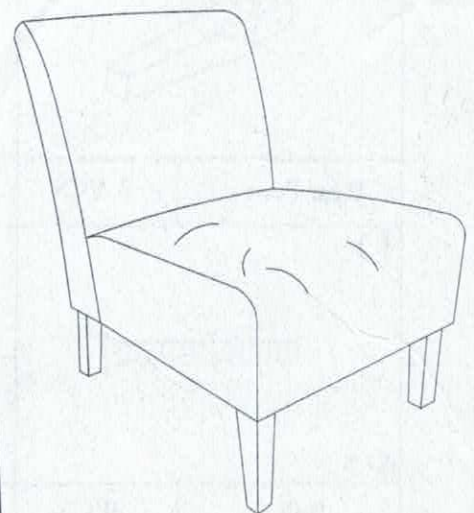
Attach the Seat Frame (3) to the Back Frame (1) using four Flat washer (A), Four Spring Washer (B), and four Bolts (C), with the provided Allen Wrench (D).

STEP2



Assemble the Front Foot (2) to the Front of the seat Frame (3) using four flat washer (A), four Spring Washer (B), and four Bolts (C), with the provided Allen Wrench (D).

STEP3



Finally, ensure the Chair is level on the floor and then fully tighten all the Bolts. Now the chair is completely assembled.